

Fluorine lined flange butterfly valve (D41FEP/PFA/PTFE)

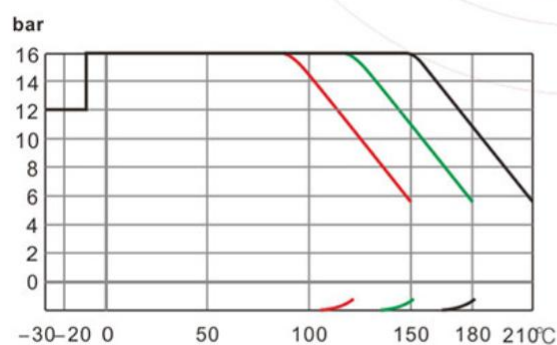
Main parts and materials

Name/Material	WCB	CF8	CF3	CF8M	CF3M
Body	WCB	CF8	CF3	CF8M	CF3M
Disc	WCB	CF8	CF3	CF8M	CF3M
Stem	WCB	CF8	CF3	CF8M	CF3M
Lined	FEP / PFA / PO / PTFE				
Seat	PTFE / RPTFE				
Bolt/Nut	B7/2H	B8/8	B8/8	B8M/8M	B8M/8M

Technical Specification

Design&Manufacture Standard	GB/T12238		API 6D
FTF Dimension Standard	GB/T12221		ASME B16.10
Flange standard	HG/T20592, GB/T9119		ASME B16.5, JIS B2220
Inspection & Test Standard	HG/T13927, JB/T9092		API 598
Normal Diameter	DN40~DN1200		1-1/2"~48"
Normal Pressure	1.0MPa	1.6MPa	150LB
Test pressure	Shell Test	1.5MPa	1.5MPa
	High Pressure Test	1.1MPa	1.1MPa
	Low Pressure Test	0.6MPa	0.6MPa
Temperature Range	FEP:-29℃~120℃, PFA:-29℃~180℃, PTFE:-29℃~150℃		
Applicable Medium	Strong corrosion medium: Hydrochloric acid, Nitric acid, Hydrofluoric acid, Liquid chlorine, Sulfuric acid and Aqua regia etc.		

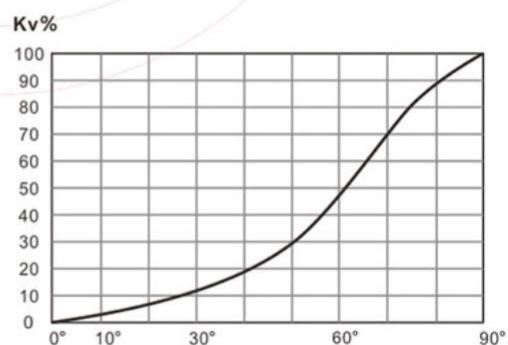
氟材料压力温度曲线
Pressure-Temperature Curve



真空 Vacuum: 0.1mbar

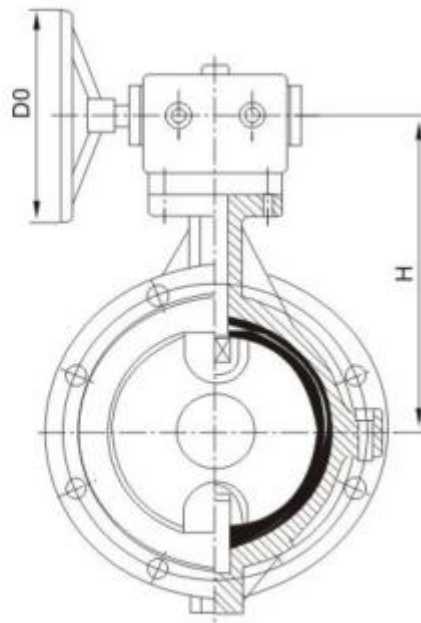
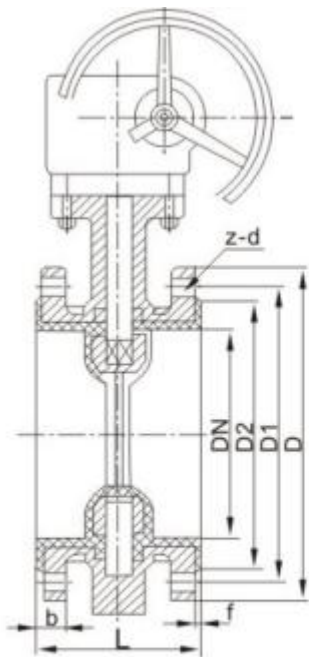
备注 Note: — PFA — PTFE — FEP

流量特性图
Flow Characteristic



阀位角度 Valve Position Angle

1Cv=1.167Kv



Fluorine butterfly valve flange worm (D341F46)

The main connection size

DN (mm)	PNS (Inch)	L	D	D1	D2	f	b	Z-Φd	Do	H
40	1-1/2	106	150	110	85	3	19	4-18	150	140
50	2	108	165	125	100	3	21	4-18	150	140
65	2-1/2	112	185	145	120	3	21	4-18	150	150
80	3	114	200	160	135	3	21	8-18	150	165
100	4	127	220	180	155	3	23	8-18	200	180
125	5	140	250	210	185	3	24	8-18	200	200
150	6	140	285	240	210	3	26	8-23	280	220
200	8	152	340	295	265	3	26	8-23	280	270
250	10	165	395	350	320	4	28	12-23	200	320
300	12	178	445	400	370	4	28	12-23	240	330
350	14	190	505	460	430	4	28	16-23	240	385
400	16	216	565	515	480	4	28	16-26	280	430
450	18	222	615	565	530	4	30	20-26	280	480
500	20	229	670	620	580	4	30	20-26	320	540
600	24	267	780	725	680	5	34	20-30	320	610
700	28	292	895	840	795	5	36	24-30	360	650
800	32	318	1015	950	900	5	38	24-33	360	710
900	36	330	1115	1050	1000	5	40	28-33	380	780
1000	40	410	1230	1160	1115	5	42	28-36	400	900
1200	48	470	1455	1380	1330	5	44	32-39	400	1050

DN (mm)	PNS (Inch)	L	D	D1	D2	f	b	Z-Φd	Do	H
40	1-1/2	106	150	110	85	3	19	4-18	150	140
50	2	108	165	125	100	3	21	4-18	150	140
65	2-1/2	112	185	145	120	3	21	4-18	150	150
80	3	114	200	160	135	3	21	8-18	150	165
100	4	127	220	180	155	3	23	8-18	200	180
125	5	140	250	210	185	3	24	8-18	200	200
150	6	140	285	240	210	3	26	8-23	280	220
200	8	152	340	295	265	3	26	8-23	280	270
250	10	165	405	355	320	4	28	12-27	200	320
300	12	178	460	410	370	4	30	12-27	240	330
350	14	190	520	470	430	4	32	16-27	240	385

400	16	216	580	525	480	4	34	16-30	280	430
450	18	222	640	585	550	4	42	20-30	280	480
500	20	229	715	650	610	4	42	20-33	320	540
600	24	267	840	770	720	5	48	20-36	320	610
700	28	292	910	840	759	5	48	24-36	360	650
800	32	318	1025	950	900	5	48	24-39	360	710
900	36	330	1125	1050	1000	5	50	28-39	380	780
1000	40	410	1255	1170	1110	5	50	28-42	400	900
1200	48	470	1485	1390	1330	5	50	32-48	400	1050